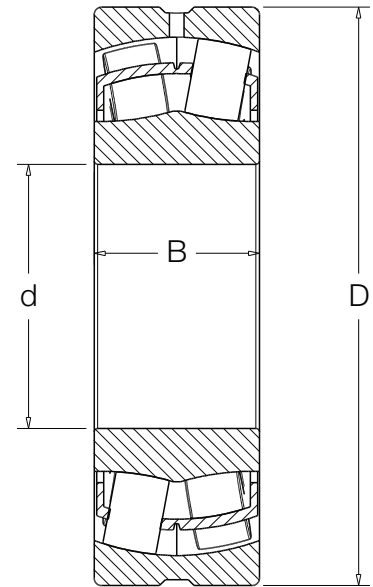
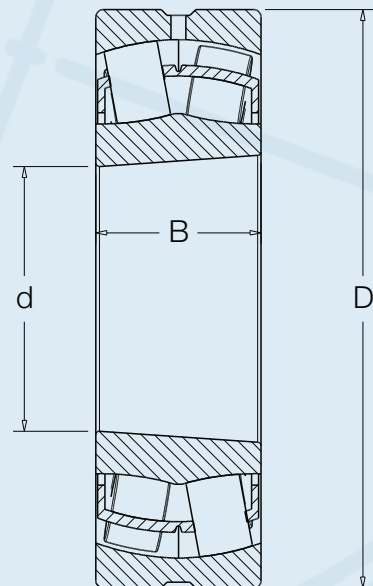


24000 series

Bearing Number	Dimensions (mm)			Dynamic Load Rating (lbf)	Static Load Rating (lbf)	Weight (lbs)
	d	D	B			
24018	90	140	50	51479	86773	6.3
24020	100	150	50	62044	105656	6.8
24022	110	170	60	85424	14496	10.9
24024	120	180	60	82052	140950	11.9
24026	130	200	69	106106	191530	16.6
24028	140	210	69	109702	201196	17.6
24030	150	225	75	128136	240536	22.2
24032	160	240	80	146570	276504	26.8
24034	170	260	90	178042	341696	36.7
24036	180	280	100	208614	409136	48.6
24038	190	290	100	219180	429368	50.6
24040	200	310	109	251776	499056	64.5
24122	110	180	69	91943	147019	15.1
24124	120	200	80	119369	191530	22.2
24126	130	210	80	124989	206366	23.8



STRAIGHT BORE



TAPERED BORE

- C - Symmetrical Roller, Stamped Steel Retainer
- CA - Symmetrical Roller, One-Piece Bronze Retainer
- MB - Symmetrical Roller, Two-Piece Bronze Retainer
- W33 - A lubricating groove and three lubricating holes on the outer race
- K - 1:12 Tapered Bore
- C3 - Larger than nominal clearance